

SCHEDA TECNICA / TECHNICAL SPECIFICATION

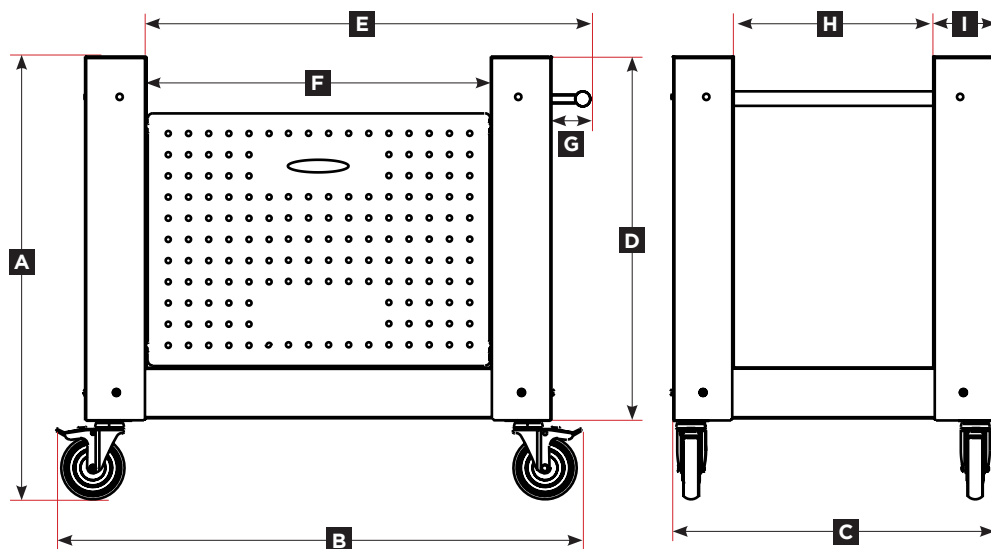


MISURE / DIMENSIONS

BASE
BRIO OVEN

● **BF-BRIO NER**

A	87.8 cm - 34.6 in	F	68.2 cm - 26.8 in
B	105.5 cm - 41.5 in	G	7.7 cm - 3 in
C	63.7 cm - 25 in	H	39.9 cm - 15.7 in
D	71.6 cm - 28.2 in	I	12.1 cm - 4.7 in
E	99.7 cm - 39.2 in		

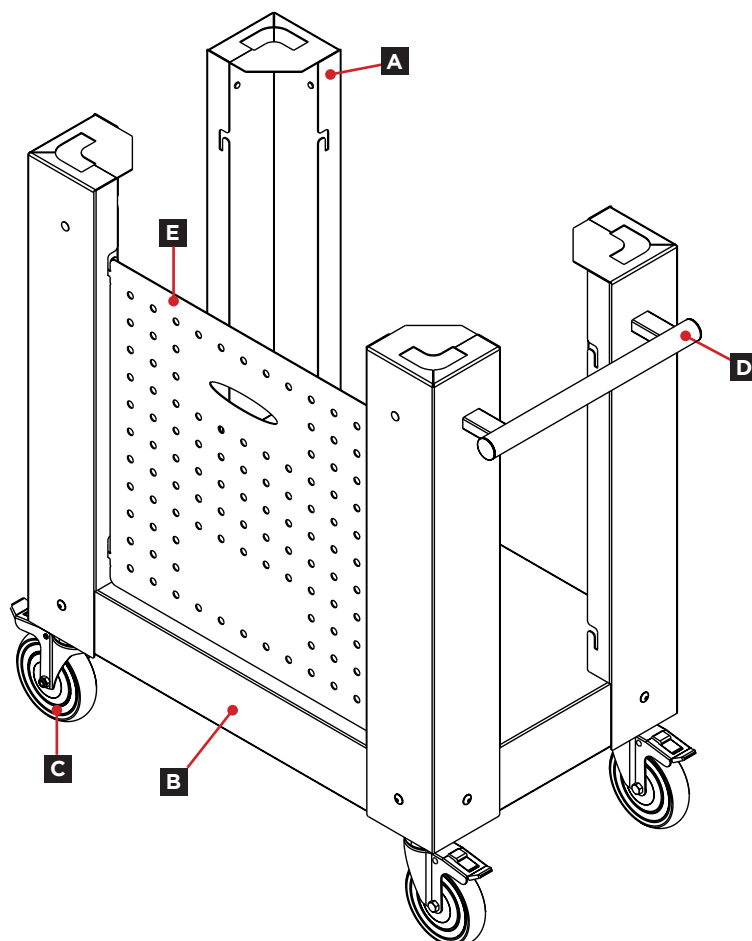


CARATTERISTICHE TECNICHE / TECHNICAL DETAILS

Peso <i>Weight</i>	32 kg 70.5 lbs	Materiali utilizzati <i>Used material</i>	lamiera ferro, acciaio inox iron sheet, stainless steel
------------------------------	-------------------	---	--

COMPONENTI / PARTS LIST

	CODE	N°	DESCRIPTION
A	BAS-2-12012	4	Leg - Gamba
B	BAS-2-12011	1	Shelf - Ripiano
C	D14RU-125FRGN	4	Wheel - Ruota
D	D14MAN-37821	1	Handle - Maniglia
E	SML-3-120111	1	Panel - Pannello



WATCH THE VIDEO, SCAN THE QR CODE
alfaforri.com/alfa-base.php

